

DECK DETAILS

FOR A ONE OR TWO-FAMILY
RESIDENTIAL STRUCTURE

APPLICANT

ADDRESS

NOTE: ANY TRUSSES OR MANUFACTURED LUMBER MEMBERS MUST HAVE A COMPUTER-GENERATED LOAD CALCULATION PRINTOUT, WHICH IS NORMALLY AVAILABLE THROUGH THE SUPPLIER

BEAM

MATERIAL:
 SIZE:
 SPAN:

JOISTS

MATERIAL:
 SIZE:
 SPACING:

BOLTS (AT HOUSE)

MATERIAL:
 SIZE:
 SPACING:

DECKING

MATERIAL:
 THICKNESS:

COLUMN

MATERIAL:
 SIZE:

FOUNDATION

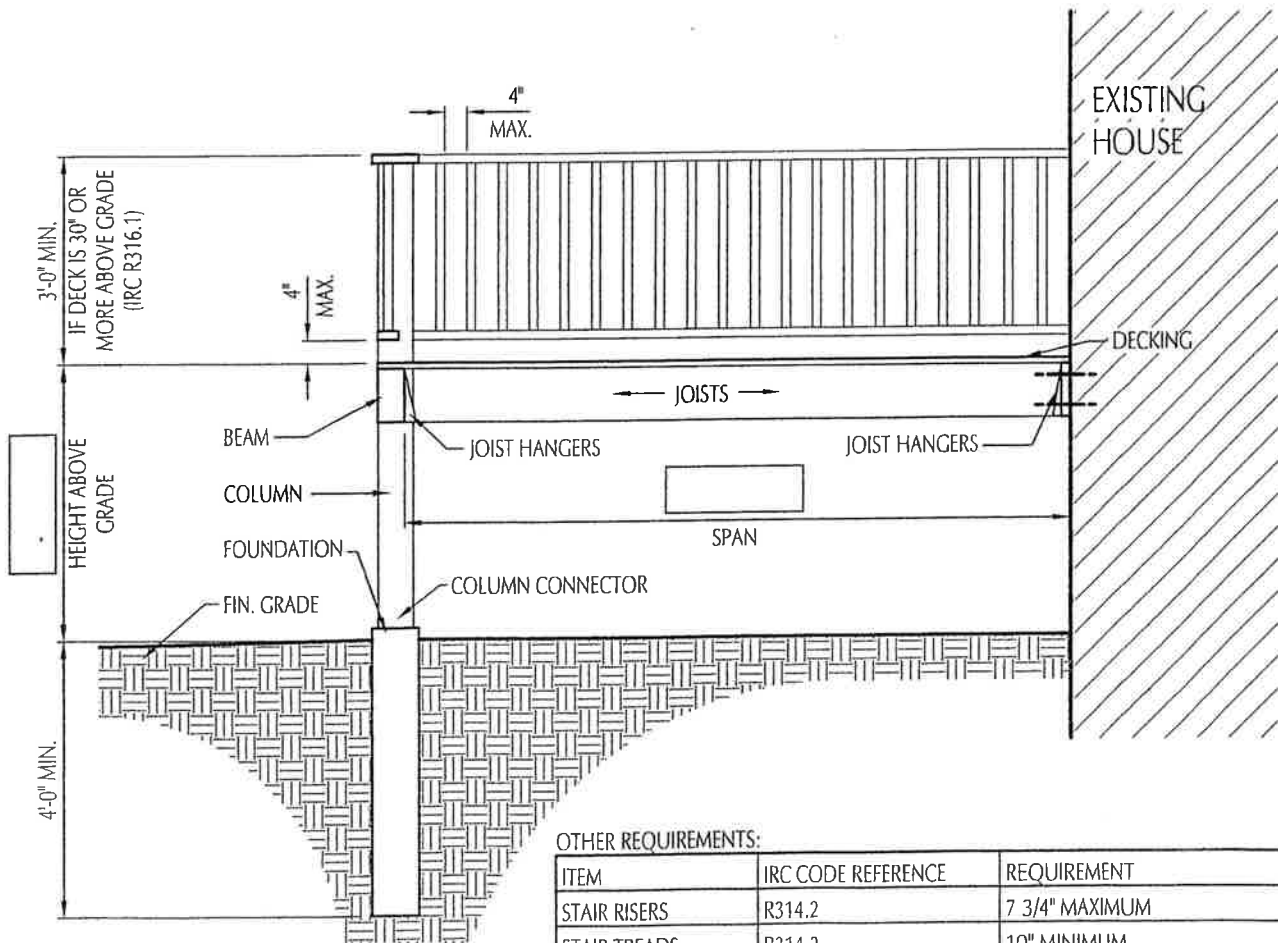
MATERIAL:
 SIZE:

JOIST HANGERS

BRAND:
 MODEL #:

COLUMN CONNECTOR

BRAND:
 MODEL #:



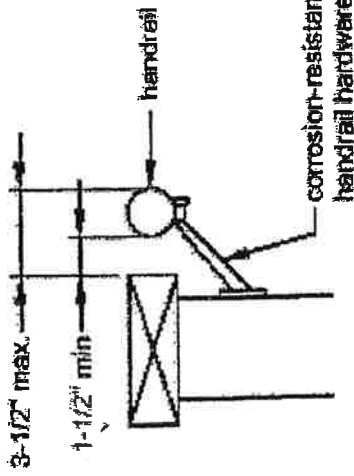
OTHER REQUIREMENTS:

| ITEM | IRC CODE REFERENCE | REQUIREMENT |
|------------------|--------------------|-----------------------------|
| STAIR RISERS | R314.2 | 7 3/4" MAXIMUM |
| STAIR TREADS | R314.2 | 10" MINIMUM |
| STAIR WIDTH | R314.1 | 36" |
| STAIR HEADROOM | R314.3 | 6'-8" MINIMUM |
| HANDRAIL HEIGHT | R315.1 | 34"-38" ABOVE STAIR NOSINGS |
| HANDRAIL DETAILS | R315.1 | * ONE SIDE, WITH RETURNS |

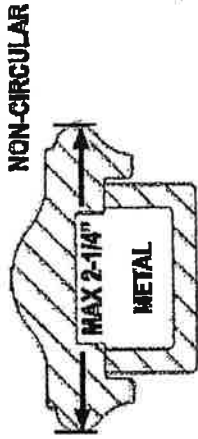
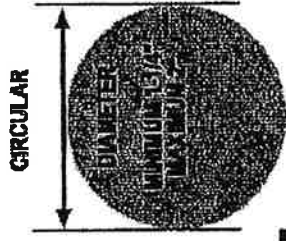
DECK DETAILS

For reference only

(2006 International Residential Code Requirements)



Handrail height min. 34" - max 38" above stair nosing

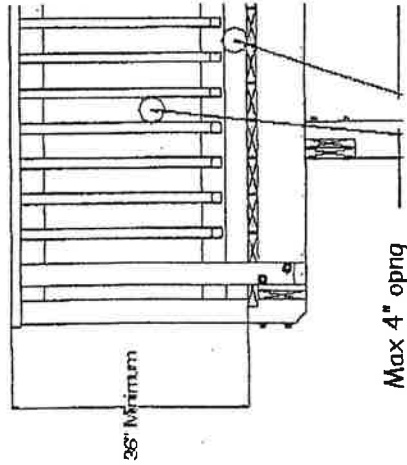
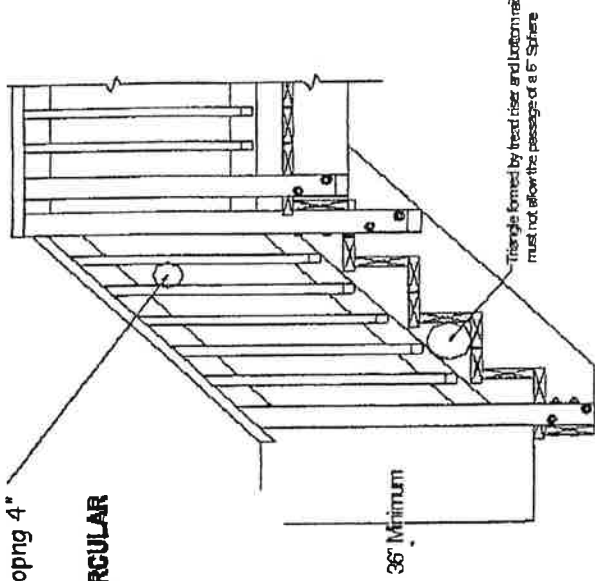


Allowed Handrail configurations

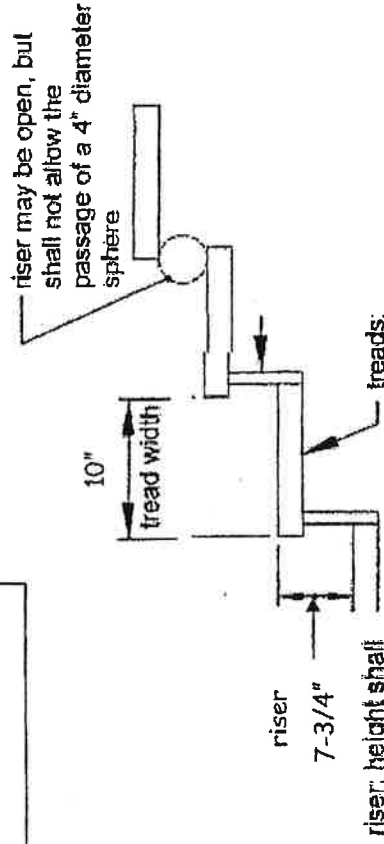
**Handrail Req'd on at least one side of stairs with a run of 4 or more risers*
**Guardrail Req'd on open sides of stairs for decks more than 30" above grade*

Stair Guardrail

Max opng 4"



Deck Guardrail



Stair Profile

STAIR & HANDRAIL / GUARDRAIL REQUIREMENTS

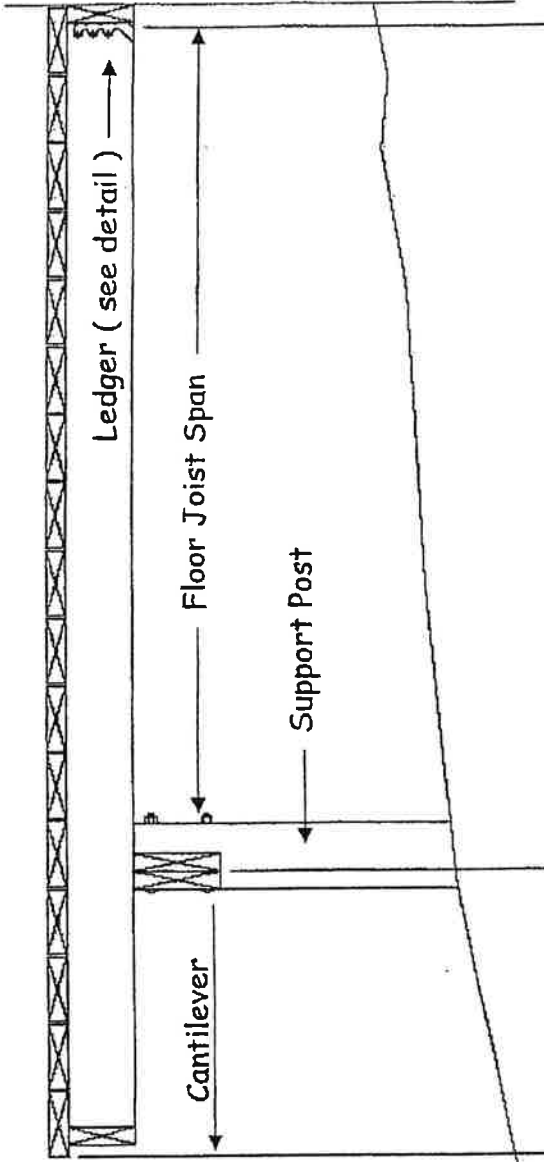
Max 4" opng

DECK DETAILS

For reference only

(2006 International Residential Code Requirements)

Existing House



| Allowed Cantilever Spans |
|---------------------------|
| 2 X 8 @ 16" oc - 29" Max |
| 2 X 10 @ 16" oc - 42" Max |
| 2 X 12 @ 16" oc - 57" Max |

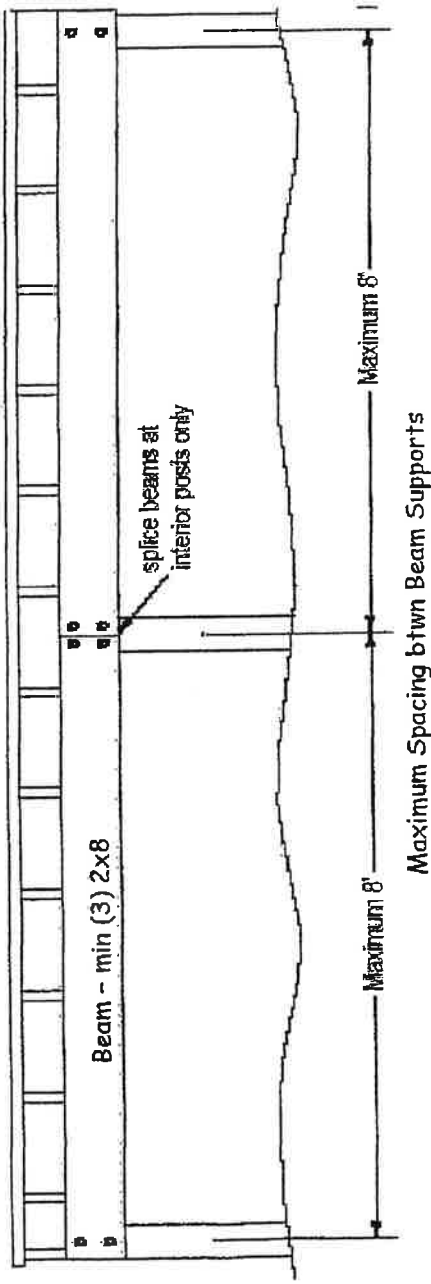
FLOOR JOIST SPAN TABLE

| Joist Size | Joist Spacing | Joist Span |
|------------|---------------|------------|
| 2x6 | 16" o.c. | 9'-7" |
| | 24" o.c. | 7'-10" |
| 2x8 | 16" o.c. | 12'-2" |
| | 24" o.c. | 10'-1" |
| 2x10 | 16" o.c. | 16'-0" |
| | 24" o.c. | 13'-1" |
| 2x12 | 16" o.c. | 18'-9" |
| | 24" o.c. | 15'-4" |

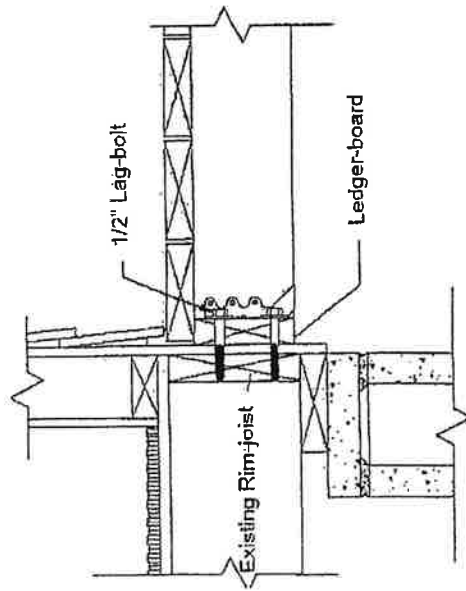
DECK DETAILS

(2006 International Residential Code Requirements)

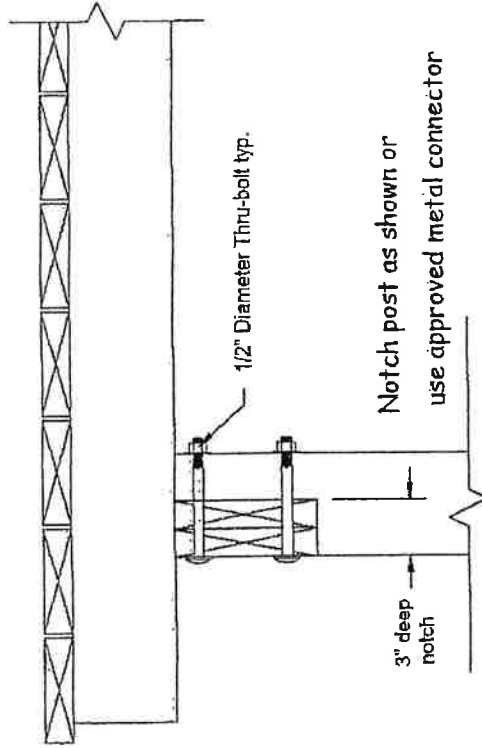
For reference only



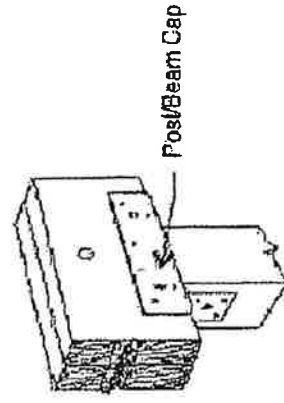
Maximum Spacing btwn Beam Supports



Ledger Board Connection



Beam to Post Connection

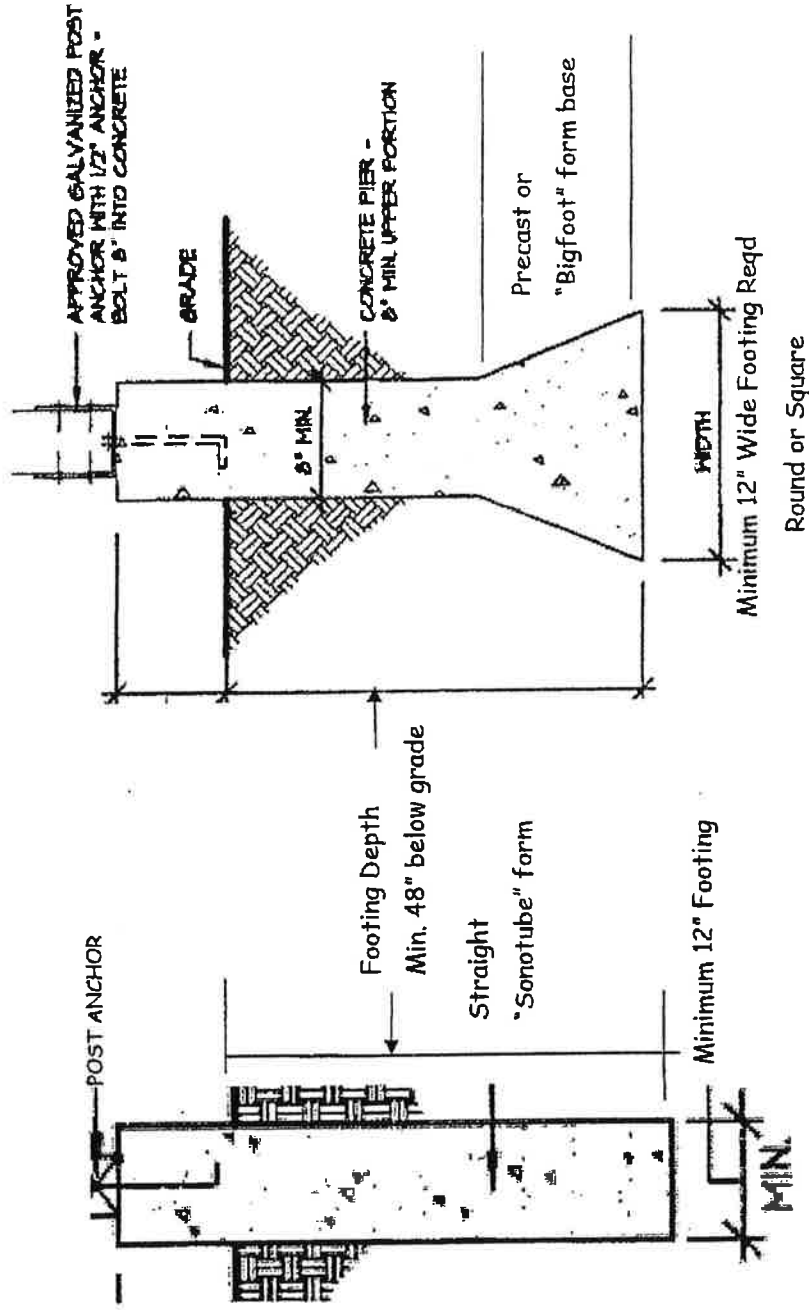


Boils and nails as required by manufacturers specifications

DECK DETAILS (2006 International Residential Code Requirements)

For reference only

- Footing Width shall be 12" min. in all cases



Deck Post Footings
Recommended footing methods